

# SRP-F310II

3 inch POS Printer



Retail



Healthcare

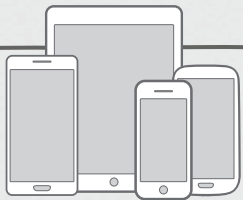


Post & Parcel



Warehouse

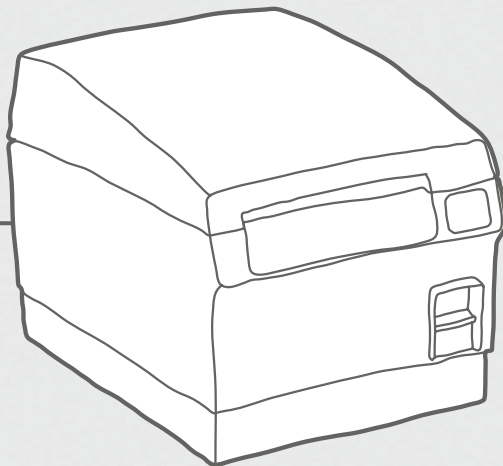
# Experience a truly Waterproof Solution



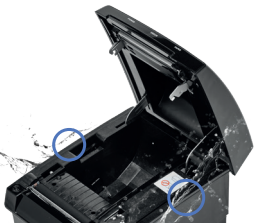
Compatible with



Made for iPod iPhone iPad



Dual layers for water protection



## Environmental Endurance

- Liquid-Barrier™ creates real waterproof and dustproof solution (IP12 certified)
- Built-in power supply for space saving and water protection

TPH  
250Km

350  
mm/sec



## Ensuring Business Continuity

- High reliability of 250 km TPH with its auto cutter guaranteed up to 3 million cuts
- Faster printing speed up to 350 mm/sec (29% faster than SRP-F310)
- All in one Plus™ Interface (Built-in USB V2.0 + Ethernet) + Serial, Powered USB, Bluetooth 5.0 (MFi certified) or Dual-band WLAN (2.4GHz and 5GHz)



Built-in power supply



## Low TCO

- Paper save mode supported
- Eco-friendly low power consumption technology adopted
- Energy star certified

# SRP-F310II

## 3 inch POS Printer

### Specifications

#### Printer Specifications

**Print Method**

Direct Thermal (Front Exit)

**Print Speed**

Up to 350 mm/sec

**Print Resolution**

SRP-F310II: 180 dpi (512 dots)

SRP-F312II: 203 dpi (576 dots)

SRP-F313II: 203 dpi (640 dots)

**Print Width**

SRP-F310II: Up to 72 mm

SRP-F312II: Up to 72 mm

SRP-F313II: Up to 80 mm

**Sensor**

Paper End, Paper Near End, Cover Open

#### Media Characteristics

**Media Type**

Receipt

**Media Width**

80 mm

Optional 83 mm

**Media Roll Diameter**

Up to 105 mm

**Media Thickness**

0.05 ~ 0.08mm

**Supply Method**

Easy Paper Loading

#### Physical Characteristics

**Dimensions (W x D x H)**

154 x 203 x 148 mm

(6.06 x 7.99 x 5.82 inch)

**Weight**

2.00 kg (4.40 lbs.)

**Electrical**

EnergyStar Certified,

External Power Supply Housed Internally

(Adaptor 24V/2.5A, 50/60Hz)

**Drawer Port**

2 ports (Via y-type adaptor)

#### Performance Characteristics

**NV Image Memory**

768 Kbytes (Mono)

**Receive Buffer**

4Kbytes

**User Define Buffer**

12Kbytes

**Interface**

Standard: USB V2.0 FS + Ethernet

Optional: USB V2.0 FS + Ethernet + Serial /  
Dual Serial / Parallel / WLAN<sup>1</sup> /  
Bluetooth<sup>2</sup> / Powered USB

**SRP-F310IIHi (B-gate Hub Interface)**

3 USB Host ports(V2.0 HS) + 1 Device port

(V2.0 HS) + 1 USB Host with charging +  
Ethernet + WLAN<sup>3</sup>

WLAN<sup>1</sup>: 802.11a/b/g/n (Infrastructure, Ad-hoc,  
Wi-Fi Direct, SoftAP) - WEP40/104,  
WPA1/2 (PSK, EAP)

WLAN<sup>2</sup>: 802.11a/ac/b/g/n USB dongle type  
(Optional)

Bluetooth: V5.0 (MFi certified)

#### Environment Characteristics

**Temperature**

Operating: 0 ~ 40°C (32 ~ 104°F)

Storage: -20 ~ 60°C (-4 ~ 140°F)

**Humidity**

Operating: 10 ~ 80% RH

Storage: 10 ~ 90% RH

#### Reliability

**Thermal Print Head (TPH)**

250 km \*\*\*

**Auto Cutter**

3 Million Cuts \*\*\*

**\*\*\* Specified Paper**

- TF50KS-E (Paper thickness: 65µm)

: Nippon Paper industries Co., Ltd.

- PD 150R (Paper thickness: 75µm)

: New Oji Paper Mfg, Co., Ltd

- PD 160R (Paper thickness: 75µm)

: New Oji Paper Mfg, Co., Ltd.

- P350 (Paper thickness: 62µm)

: Kansaki Specialty Paper, Inc. (USA)

#### Software

**Emulation**

BXL / POS

**Driver / Utility**

Windows Driver, OPOS / JPOS Driver,

Linux / Mac CUPS Driver,

Virtual COM USB / Ethernet Driver, Utility Program

SRP-F310IIHi: Utility Program

**SDK / Plugin**

Android / iOS / Windows SDK, Linux SDK,

Xamarin SDK, Chrome SDK, Cordova Plugin

**SRP-F310IIHi only :**

B-gate iOS / Android / Windows SDK,

Chrome SDK, B-gate SDK\_Cloud Server Print,

B-gate SDK\_Web App Print

**Application**

mPrint App (iOS), mPrint Server (Windows, iOS)

**MDM**

BIXOLON Profile Manager

- XPM™, XCM™ (Windows, Android)

#### Fonts / Graphics / Symbologies

**Character Size**

Font A: 12 x 24 Font B: 9 x 17 Font C: 9 x 24

KOR, CHN, JPN: 24 x 24

**Characters Per Line**

SRP-F310II: Font A: 42 Font B, C: 56

KOR, CHN, JPN: 21

SRP-F312II: Font A: 48 Font B, C: 64

KOR, CHN, JPN: 24

SRP-F313II: Font A: 53 Font B, C: 71

KOR, CHN, JPN: 26

**Character Sets**

Alphanumeric: 95

Expanded Graphics: 128 x 35 page

International: 32

**Graphics**

Supporting User-Defined Fonts, Graphics,  
Formats, and Logos

**Barcode Symbologies**

1D: Coda Bar, Code39, Code93, Code128,

EAN-8, EAN-13, ITF, UPC-A, UPC-E

2D: Data Matrix, PDF417, QR Code

#### Accessories

**Standard**

3 inch Partition (83 mm)

**Optional**

External buzzer, B-Melodist, USB A-A Cable 1.8m,

USB to Serial cable, WLAN Dongle,

Powered USB (0.5/1.2m),

Serial Cable (9-9/25-9pin), Parallel Cable