

# BK3-31

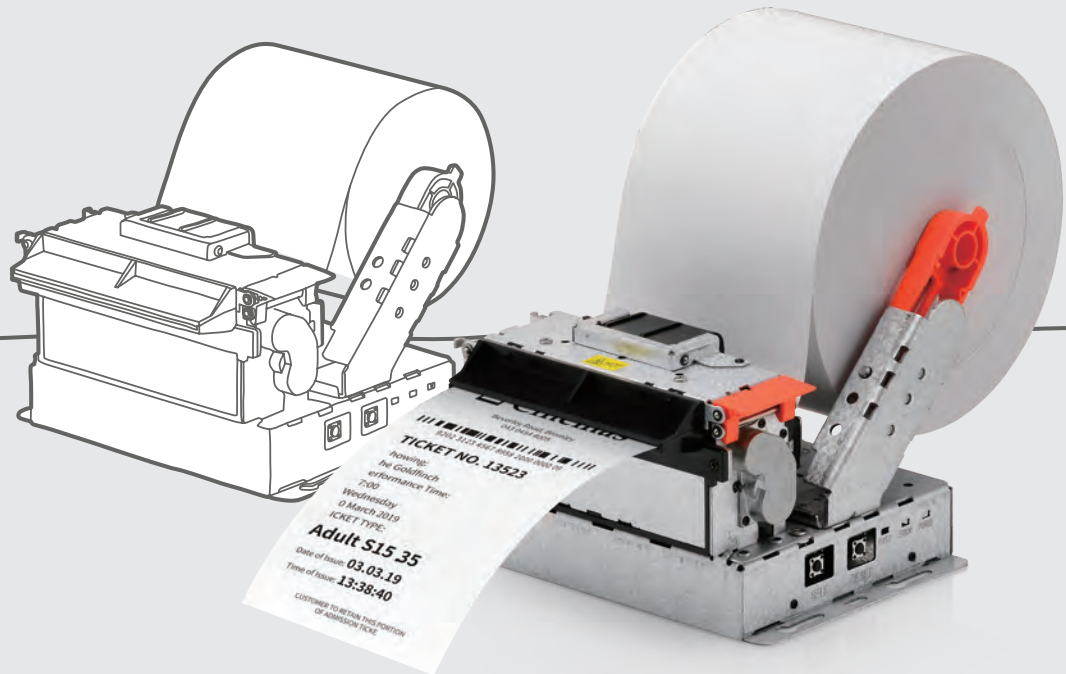
## 3-inch Kiosk Printer



Retail

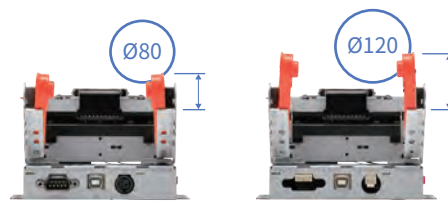
Hospitality &  
EntertainmentPublic  
transportFinancial  
services

# Compact, Flexible and Reliable



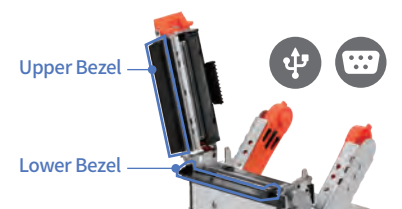
### Ensuring Productivity and Reduced TCO

- Fast speed up to 250mm per second at 203dpi
- Resistance in harsh environment for long term reliable operation
- Supporting selectable media widths : 83 / 80 / 60 / 58 / 20 mm
- Diverse drivers and SDKs supported
- Reducing paper usage up to 25% resulting in economic and environment sustainability and reduced CO2 emissions.



### Compact & User-centered Design

- Large paper roll capacity : Media roll diameter of 80 / 102 / 120 mm
- The compact and lightweight form factor perfectly fit into kiosks in small spaces
- Power switch and reset button available on both sides of the printer making it easy to reboot
- Smooth and seamless paper feeding with additional roller-tension



### Flexibility for Wide-ranging Requirements

- Diverse interface offering a variety of ways to connect: USB(V2.0 Full Speed) + Serial(9P-Male, 2P-Connector type)
- Removable bezels tailored for different designs of kiosks
- Multi-position near end sensor for efficiently monitoring status of paper and media width frame adjustable by hand

# BK3-31

## 3-inch Kiosk Printer

### Specifications

#### Print Characteristics

**Print Method**

Direct Thermal

**Print Speed**

Up to 250mm/s

**Print Resolution**

203dpi

**Print Width**

72 / 54 / 48 / 12 mm

**Sensor**

Paper End, Cover Open, Near End, Black Mark

#### Media Characteristics

**Media Type**

Receipt

**Media Width**

83 / 80 / 60 / 58 / 20 mm

**Media Roll Diameter**

Up to 120 mm

**Media Thickness**

0.05 ~ 0.12 mm

**Supply Method**

Easy Paper Loading, Side Open

#### Physical Characteristics

**Dimensions (WxLxD)**

Media Roll Diameter Ø80: 130 x 130 x 91

Media Roll Diameter Ø102: 130 x 147 x 99

Media Roll Diameter Ø120: 130 x 143 x 105

**Weight**

700 g

**Power**

External Power Supply Housed Internally  
(Adaptor 24V/2.5A)

#### Performance Characteristics

**NV Image Memory**

256 Kbytes (Mono)

**Receive Buffer**

64 Kbytes

**User Define Buffer**

12 Kbytes

**Interface**

USB(V2.0 Full Speed) +  
Serial(9P-Male, Connector type)

#### Environment Characteristics

**Temperature**

Operating: 0 ~ 40°C (32 ~ 104°F)

Storage: -20 ~ 60°C (-4 ~ 140°F)

**Humidity**

Operating: 10 ~ 80% RH

Storage 10 ~ 90% RH

#### Reliability

**Thermal Print Head (TPH)**

100 km

**Auto Cutter**

1.5 Million Cuts

#### Software

**Emulation**

BXL / POS

**Driver / Utility**

Windows Driver, OPOS Driver,  
Linux / Mac CUPS Driver, Utility Program

**SDK/Plugin**

Android SDK, Windows SDK, Linux SDK

#### Fonts / Graphics / Symbologies

**Character Size**

Font A: 12 x 24 Font B: 9 x 17 Font C: 9 x 24

KOR, CHN, JPN: 24 x 24

**Characters Per Line (Paper Width)**

96(20) / 384(58) / 432(60) / 576(80,83) dots

**Character Sets**

Alphanumeric: 95

Extended Graphics: 128 x 35 page

International: 32

**Graphics**

Supporting user-defined fonts, graphics,  
formats and logos

**Barcode Symbologies**

1D: Coda Bar, Code 39, Code 93, Code 128,  
EAN-8, EAN-13, ITF, UPC-A, UPC-E

2D: Data Matrix, GS1-128, GS1 DataBar Stacked  
/ Omnidirectional / Truncated / Limited /  
Expanded, PDF417, QR code

#### Accessories

**Optional**

SMPS(DC Jack), SMPS(2P Connector),  
Male to Male type Serial Cable,  
5P to Male type Serial Cable,  
USB A-B Cable 1.8m, Power Cord

